

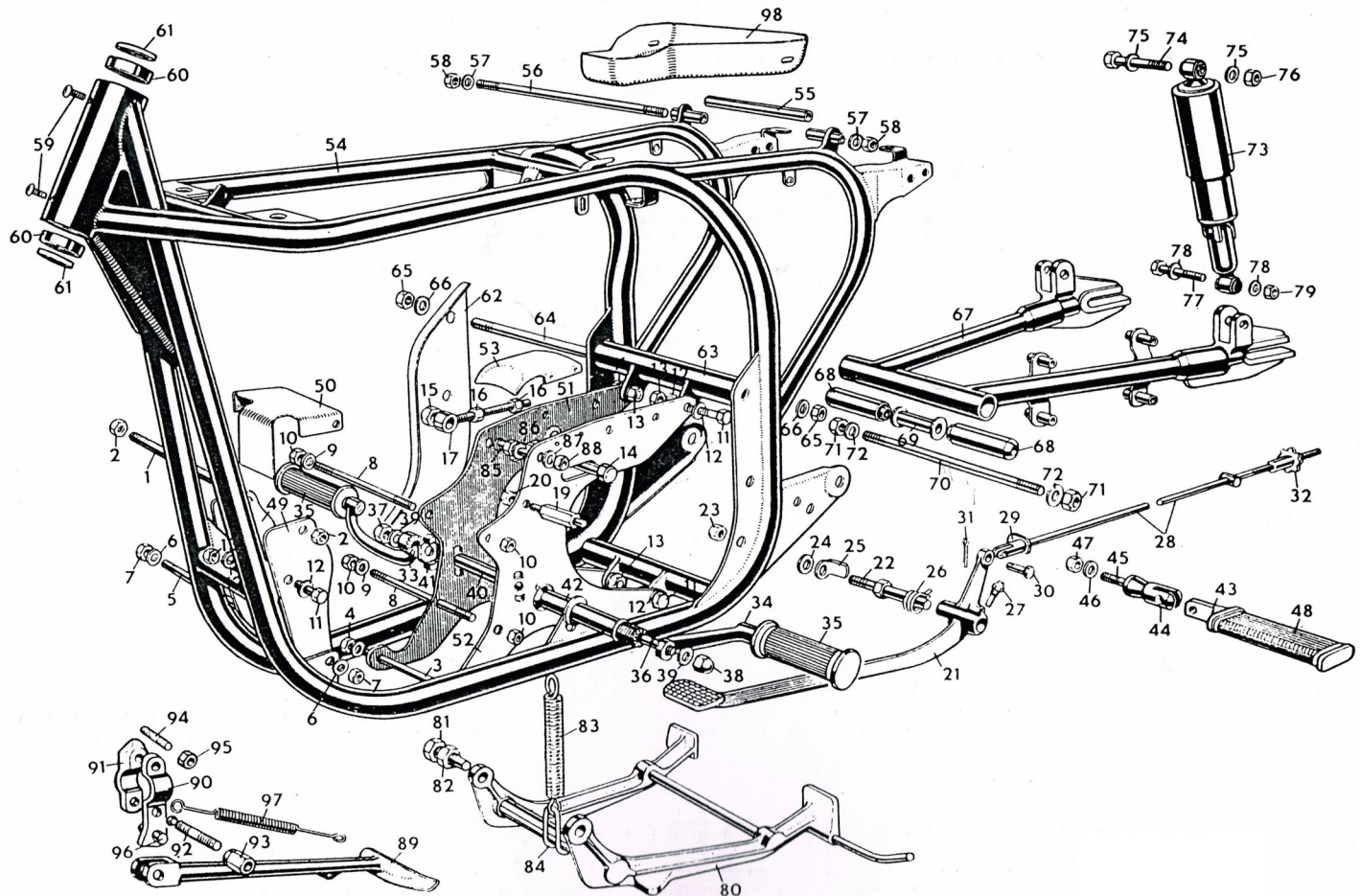


We are the only supplier of Commando & Dominator parts using the original factory drawings. Our products are mostly made in England and to original specification. We also offer Norton Rotary spares, factory service manuals and literature for **NORTON** and **TRIUMPH** motorcycles.

INSIST ON GENUINE FACTORY PARTS PACKAGED WITH THIS LOGO



NORTON FEATHERBED FRAME (SLIMLINE 1961/1962)



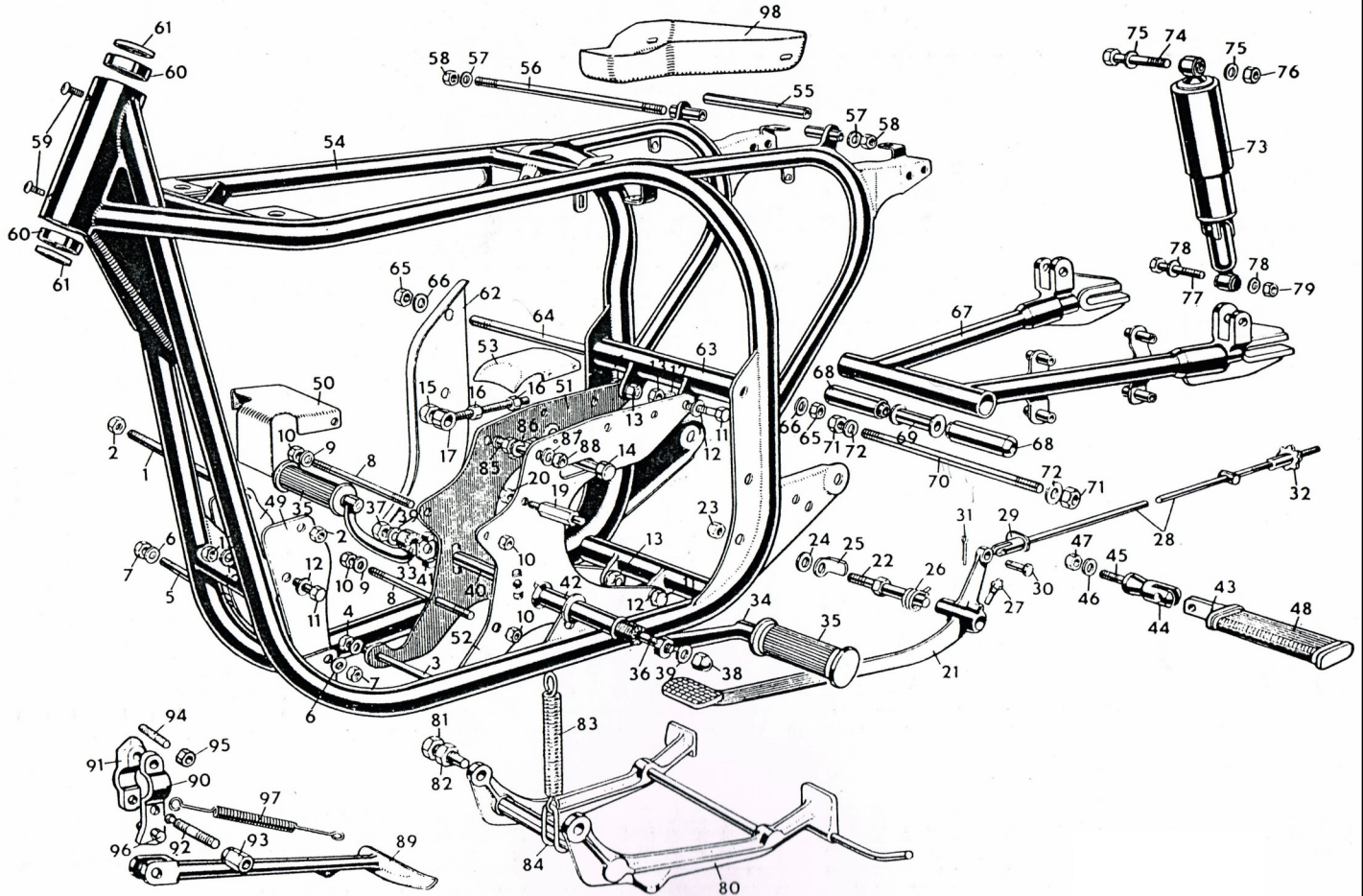


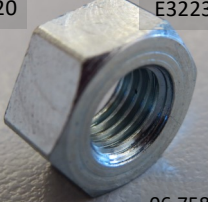
We are the only supplier of Commando & Dominator parts using the original factory drawings. Our products are mostly made in England and to original specification. We also offer Norton Rotary spares, factory service manuals and literature for **NORTON** and **TRIUMPH** motorcycles.

INSIST ON GENUINE FACTORY PARTS PACKAGED WITH THIS LOGO



NORTON FEATHERBED FRAME (SLIMLINE 1961/1962)



16  E3231 06.7592	17  16997 06.7681	19  20937 NM20937	20  E3223 06.7589	21  19995 Not available 06.7761
22  19996 06.7762		23  E3227 Use 04.1265	24  19997 06.7763	25  19976 06.7758
26  19929 06.7757	27  19978 06.7759	28  NM15819	29  03.3023	30  E3255 06.0552 Use with item 31, 06.0553

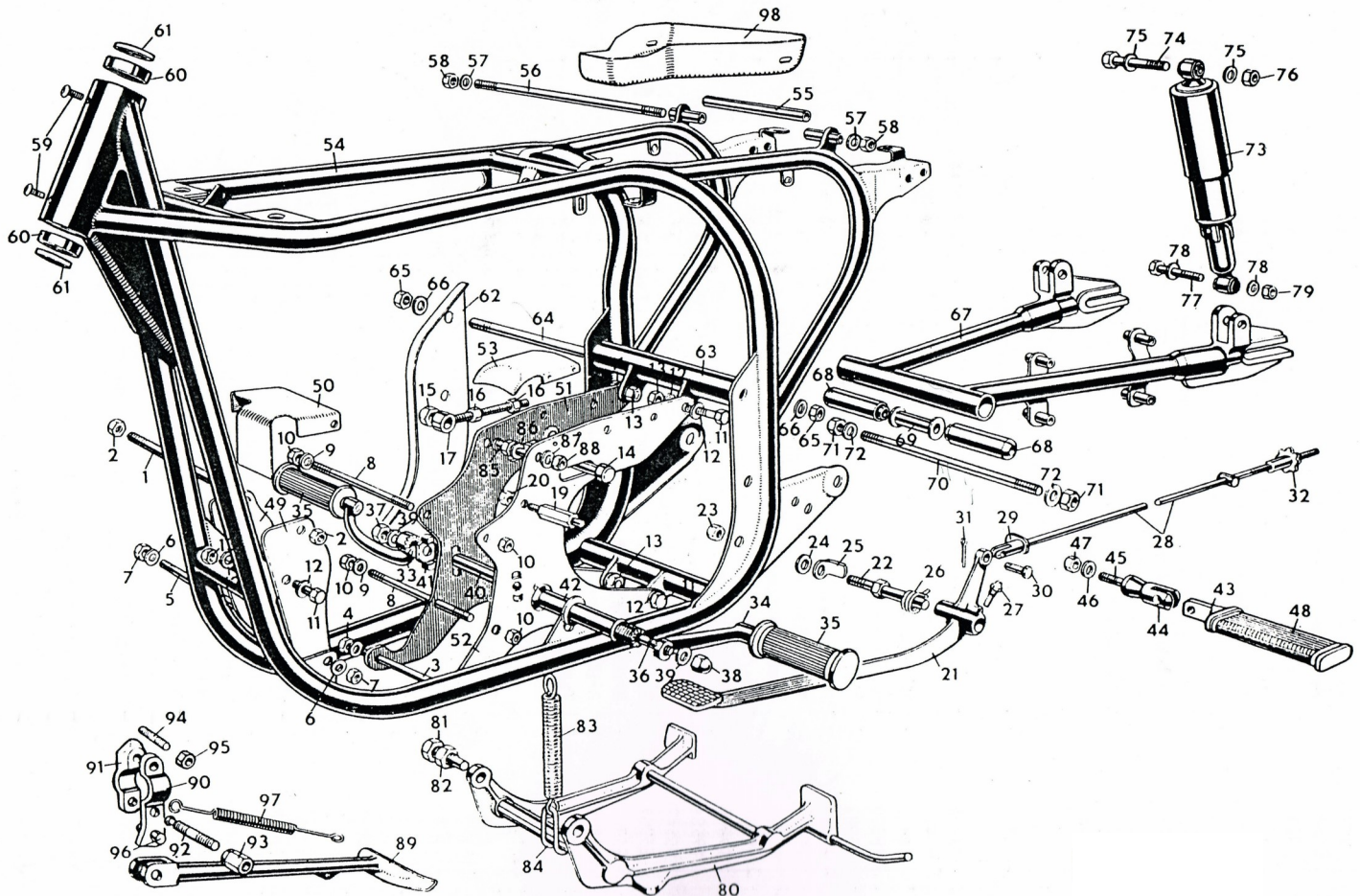


We are the only supplier of Commando & Dominator parts using the original factory drawings. Our products are mostly made in England and to original specification. We also offer Norton Rotary spares, factory service manuals and literature for **NORTON** and **TRIUMPH** motorcycles.

INSIST ON GENUINE FACTORY PARTS PACKAGED WITH THIS LOGO



NORTON FEATHERBED FRAME (SLIMLINE 1961/1962)



31 17735 06.0553



Use with item 30, 06.0552

32 02.2743



33 18772



06.7722

34 18149a



06.7699

35 19983



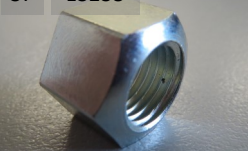
06.7760

14366 36



06.7637

37 E3238



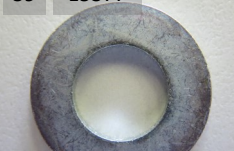
06.7593

38 E3220



06.7587

39 E5377



60.2323

40 15641



06.7654

41 18268



06.7708

42 20936



06.7778

43 18254

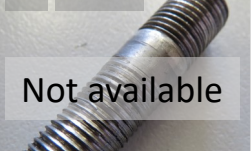


06.7778

44 NM16244



45 22574



Not available

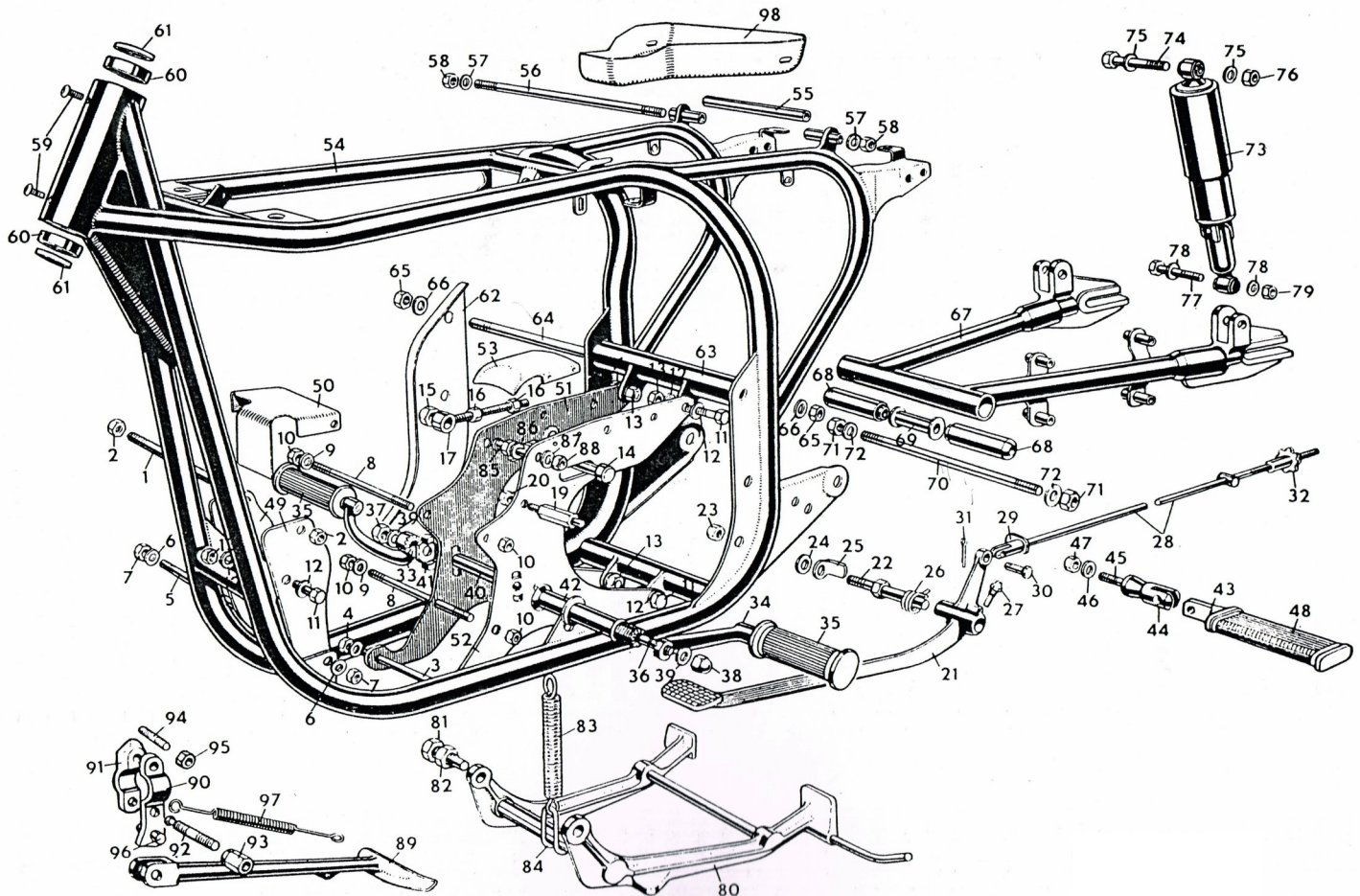


We are the only supplier of Commando & Dominator parts using the original factory drawings. Our products are mostly made in England and to original specification. We also offer Norton Rotary spares, factory service manuals and literature for **NORTON** and **TRIUMPH** motorcycles.

INSIST ON GENUINE FACTORY PARTS PACKAGED WITH THIS LOGO



NORTON FEATHERBED FRAME (SLIMLINE 1961/1962)



<p>46 E5376</p> <p>60.2322</p>	<p>47 23870</p> <p>Use 00.0003 06.7859</p>	<p>48 16249</p> <p>NM16249</p>	<p>49 NM15621</p> <p>06.7782</p>	<p>50 20999</p> <p>06.7782</p>
<p>51 NM19179</p>	<p>52 NM20700</p>	<p>53 21031</p> <p>Cover plate (needs to clear c/stand spring) Not available</p>	<p>54 NM20060</p> <p>WIDELINE FRAME</p>	<p>55 NM21099</p>
<p>56 21134</p> <p>06.7783</p>	<p>57 E5376</p> <p>60.2322</p>	<p>58 E3224A</p> <p>06.7590</p>	<p>59 23573</p> <p>Fixing screws for cover Not available</p>	<p>60 18263</p> <p>03.0205</p>

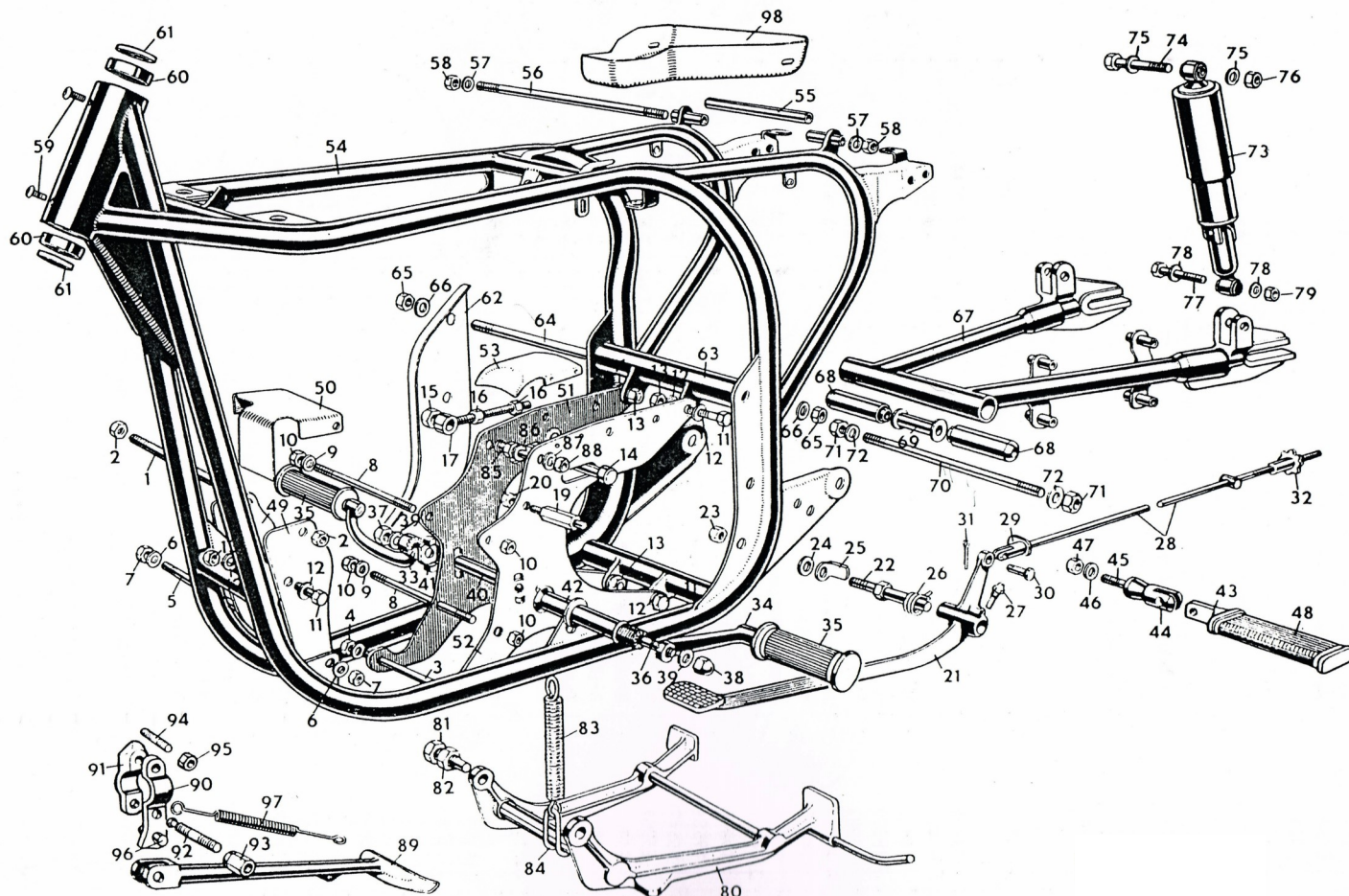


We are the only supplier of Commando & Dominator parts using the original factory drawings. Our products are mostly made in England and to original specification. We also offer Norton Rotary spares, factory service manuals and literature for **NORTON** and **TRIUMPH** motorcycles.

INSIST ON GENUINE FACTORY PARTS PACKAGED WITH THIS LOGO



NORTON FEATHERBED FRAME (SLIMLINE 1961/1962)



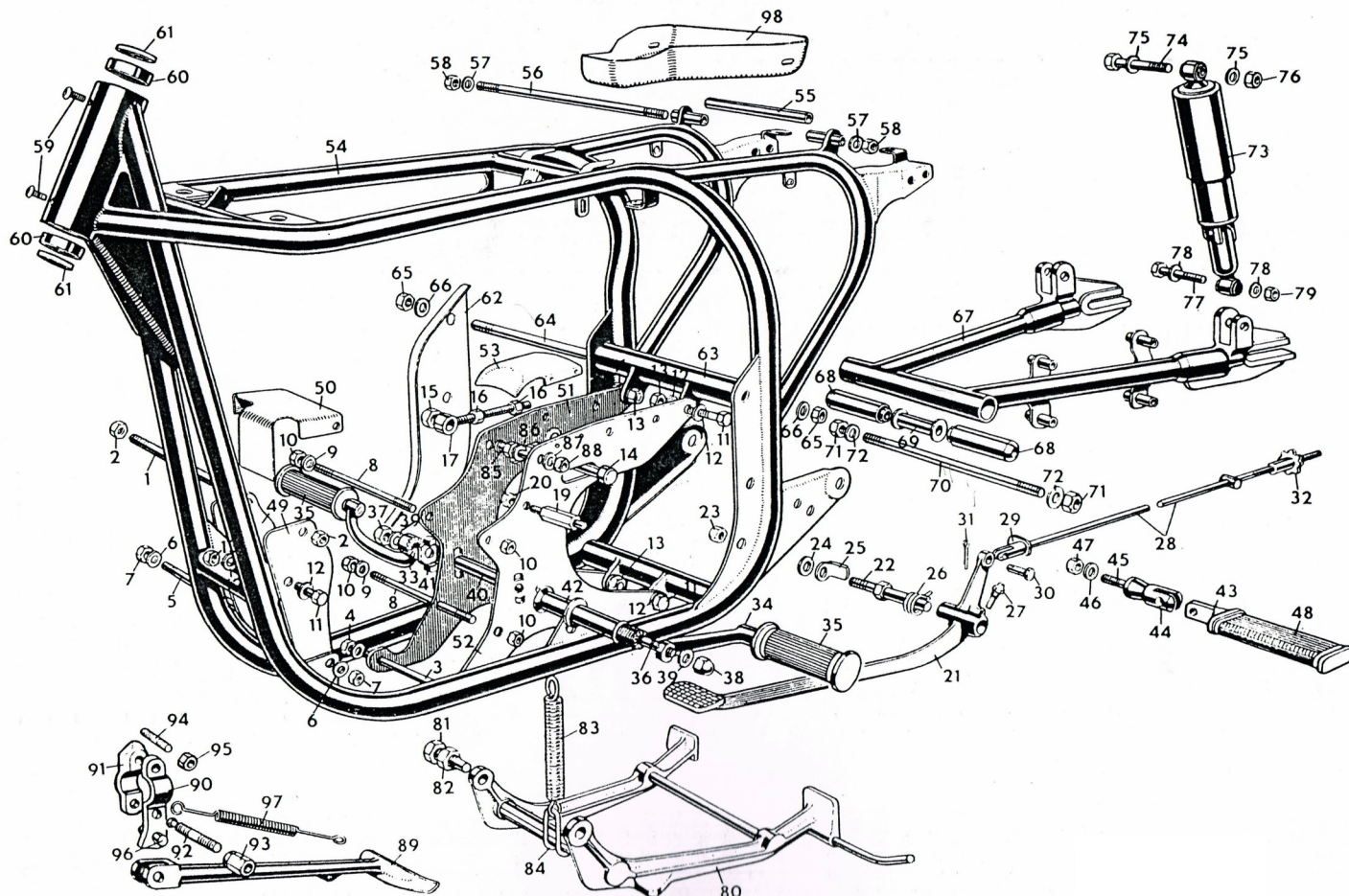















We are the only supplier of Commando & Dominator parts using the original factory drawings. Our products are mostly made in England and to original specification. We also offer Norton Rotary spares, factory service manuals and literature for **NORTON** and **TRIUMPH** motorcycles.

INSIST ON GENUINE FACTORY PARTS PACKAGED WITH THIS LOGO



NORTON FEATHERBED FRAME (SLIMLINE 1961/1962)



76  E3224 06.7590	77  22655 06.7809	78  11796 06.7622	79  E3223 06.7589	80 17175 Centre stand Not available 06.7683
81  16763 06.7672	82  16764 06.7673	83  16411 06.7866	84  23494 NM24078 06.7867	85 19255  Use 06.7868
86  E5380 60.2321	87  E5456 60.2348	88  E3223 06.7589	89  18750 03.4070	90 18275B  NM25175



We are the only supplier of Commando & Dominator parts using the original factory drawings. Our products are mostly made in England and to original specification. We also offer Norton Rotary spares, factory service manuals and literature for **NORTON** and **TRIUMPH** motorcycles.

INSIST ON GENUINE FACTORY PARTS PACKAGED WITH THIS LOGO



NORTON FEATHERBED FRAME (SLIMLINE 1961/1962)

